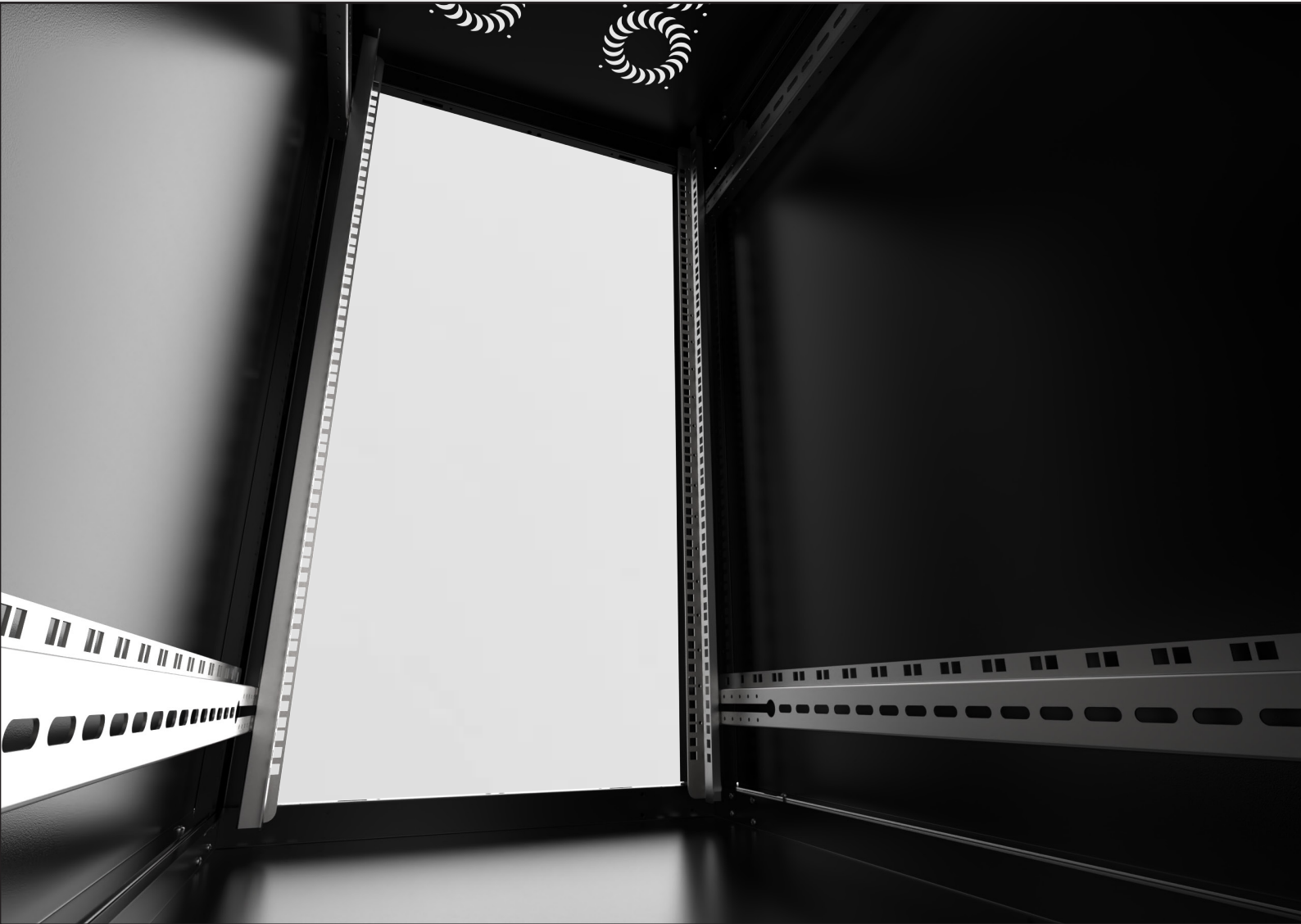


ONE X PER



GT Network

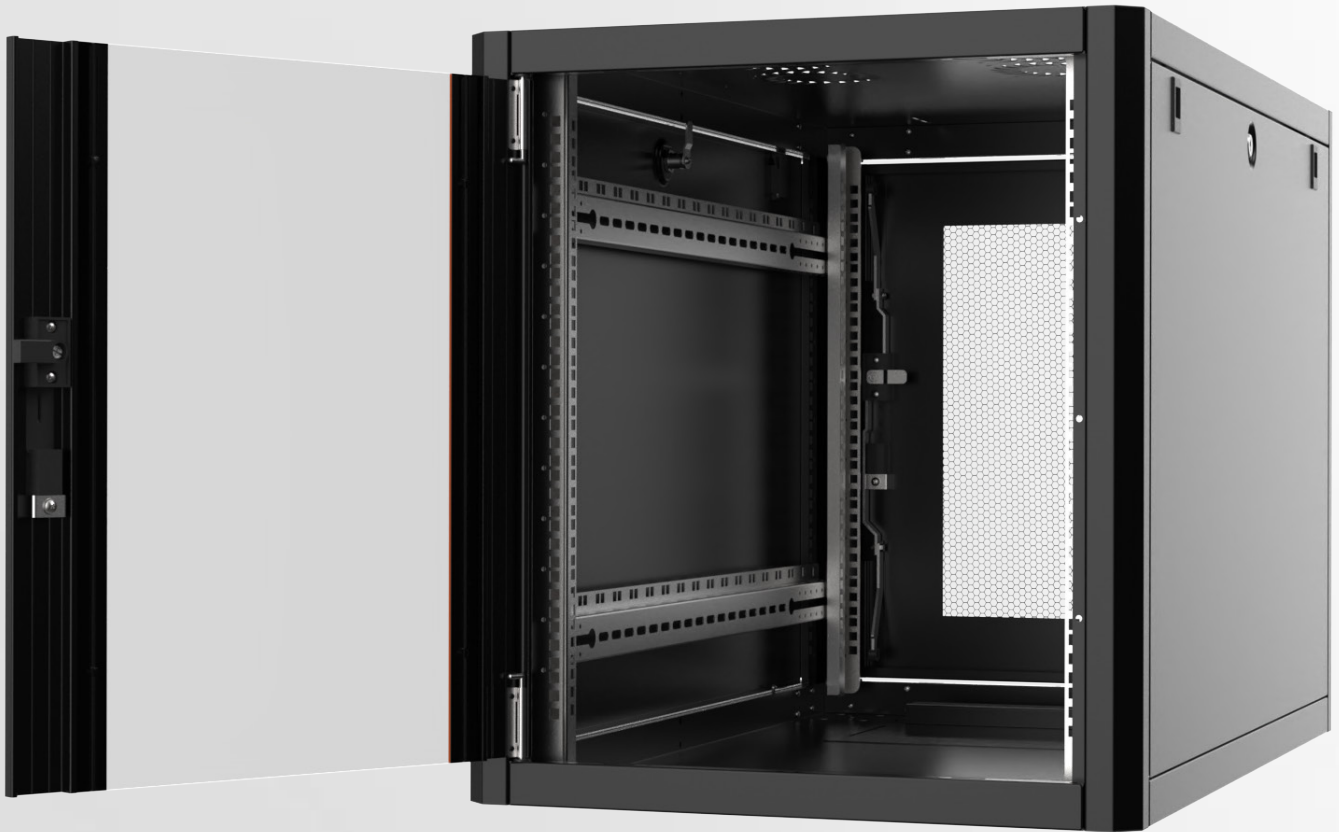
12U - 600x1000

GROUND TYPE

ONE X PER



Ground Type Network



Technical Details

Features

19" Device Compatibility
Barrel Lock

Dimensions

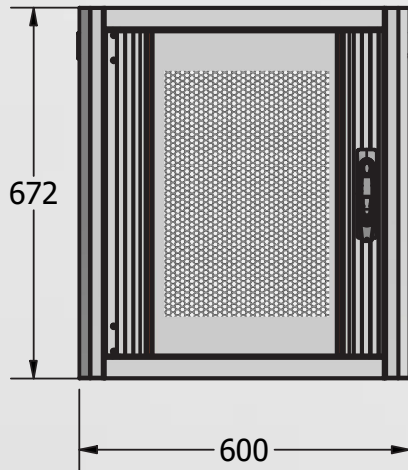
Size : 12U
Width : 600 mm
Height : 672 mm
Depth : 1000 mm

Material

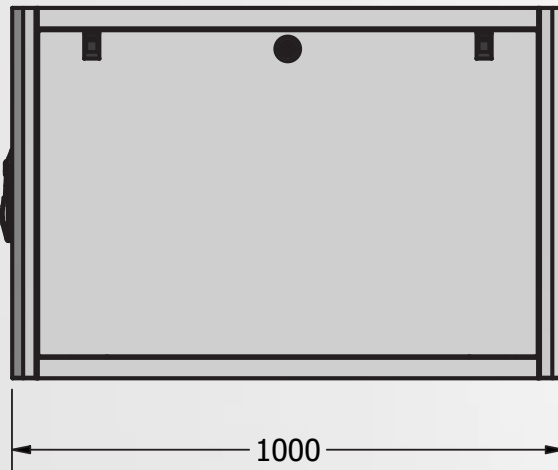
1.2 mm Steel

Appearance

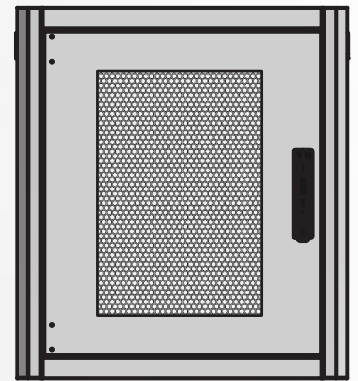
Finish Surface : Powder Coating
Color Code : RAL9005



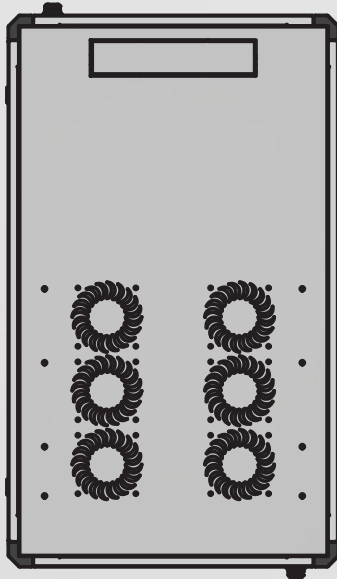
Front View



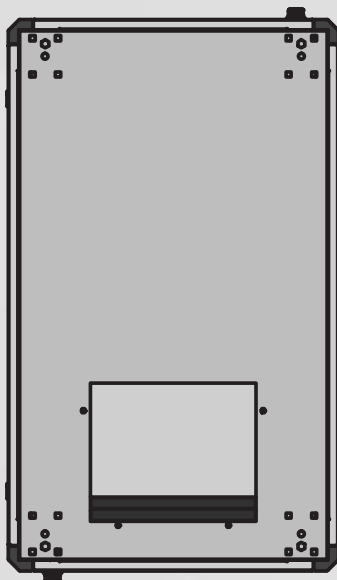
Side View



Rear View



Top View



Bottom View

Features

- 19" Device Compatibility
- Breakable Cable Entry
- Sliding Cable Entry
- Glass Front Door with Orange Strip
- Perforated Rear Door
- Barrel Lock System
- Plastic Sliding Lock System

STANDARDS AND COMPLIANCES

ISO9001:2015 Quality Management System

IEC 297-1, 19" Mounting Standard

IEC 297-2, Overall Cabinet Dimensions

TS EN 61587-1 Standard.

Environment Friendly

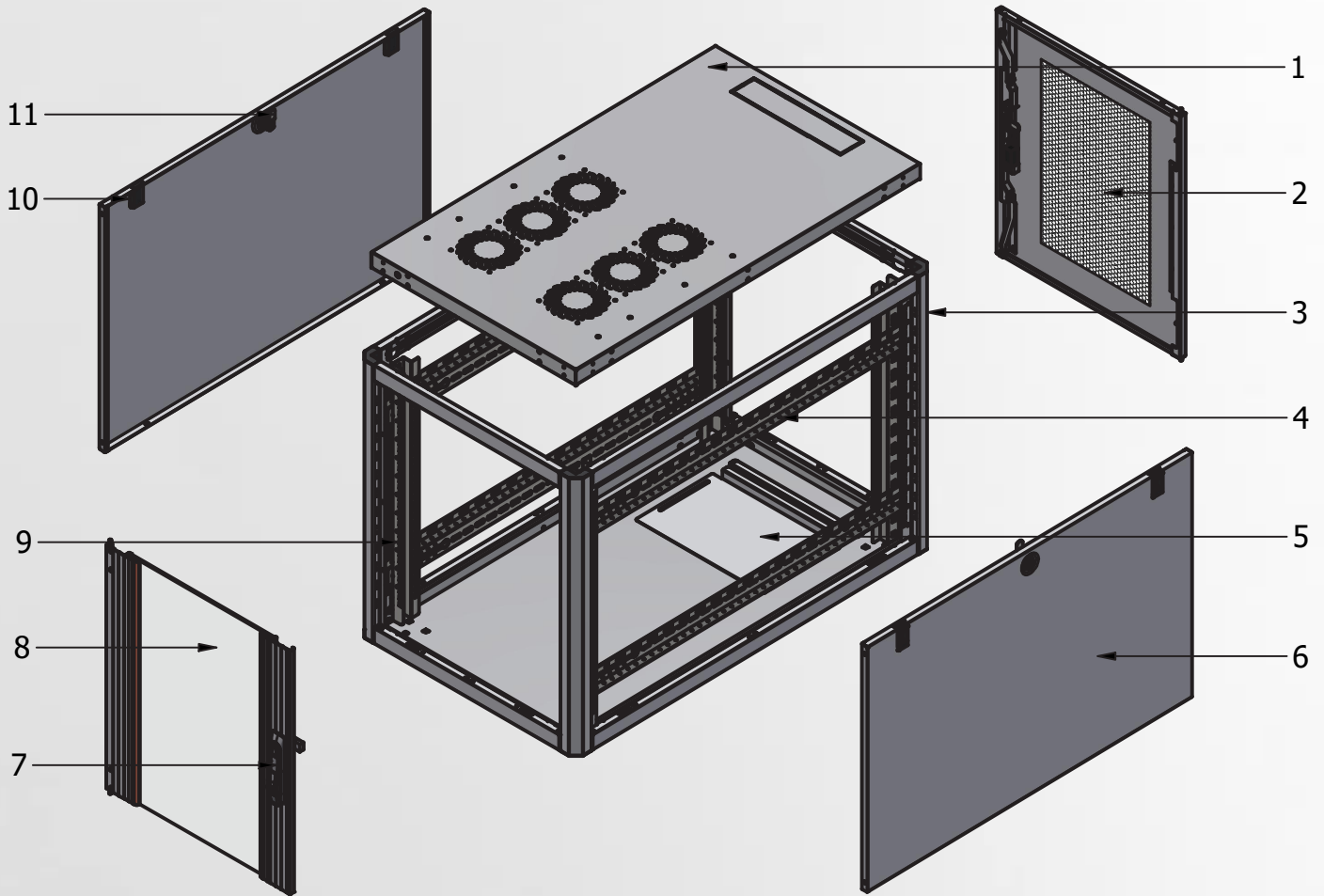
%100 recyclable.



Color Options

RAL7035

RAL9005



COMPONENT LIST

NO	PART NAME	NO	PART NAME
1	Top Panel	7	Front Door Locking Mechanism
2	Perforated Rear Door	8	Front Door
3	Cabinet Carcass	9	19" Device Mounting Rail
4	Horizontal Support Bar	10	Side Panel Plastic Sliding Lock
5	Bottom Panel with Sliding Cable Entry	11	Side Panel Barrel Lock
6	Side Panel		



19" Device Mounting Rail

Mounting Rails has 19" compatibility and these 19" Device Mounting Rails can move along the depth of the cabinet.



Side Panel Locks

Side panel has Barrel (O-Lock) Locking Mechanism and Plastic Sliding Locks